

FROSTY 1, Slush and sherbet machine, with 1x12-litres bowl



FROSTY1NEW

Ref: 562847
(FROSTY1NEW)

Slush and sherbet machine, with 1x12-litres lighted bowl, and mechanical control, refrigerant gas R452a

General Features

FROSTY is the ideal slush machine for those who want large-sized equipment with high performance, but with a low investment budget.

FROSTY 1 is the equipment for the production and dispensing of slushie, sherbets and other frozen specialties, with n. 1 tank with a capacity of 12 litres.

The tank is illuminated with a LED lighting system, for a strong appeal to the consumer, and encouraging impulse purchases.

FROSTY has a double mixing system prevents ice accumulation, for optimum product consistency.

This slush machine has a manual control keypad, to turn on/off the lights and set the "production" mode and the "night" mode"

CRATHCO

FROSTY 1, Slush and sherbet machine, with 1x12-litres bowl

Specifications

- Safety stop system.
- It is possible to customize the graphics on the front, on the lid and on the back (subject to negotiation).
- Equipped with a LED lighting system to enhance product visibility, for a strong attraction effect, and to stimulate impulse purchases.
- Lockable lid
- Perfect for dispensing granitas, sorbets and other frozen specialties.
- The mechanical control allows you to manually set the start the “production mode” and the “night mode” and turn on/off the LED-lights.

Construction

- Double mixing system to guarantee a perfect consistency of the dispensed product.
- Slushy machine, equipped with 1x12-litres tank

FROSTY 1, Slush and sherbet machine, with 1x12-litres bowl

Electric

Supply voltage:	220-240 V / 1 ph / 50 Hz
Electrical power max.:	0.5 kW
Current consumption:	3.4 Amps
Plug type:	CE-SCHUKO

Key Information:

Number of bowls:	1
Bowl's capacity:	12 lt
Control board:	Mechanical
Dimensions, Width:	209 mm
Dimensions, Depth:	564 mm
Dimensions, Height:	832 mm
Net weight:	34 kg

Refrigeration Data

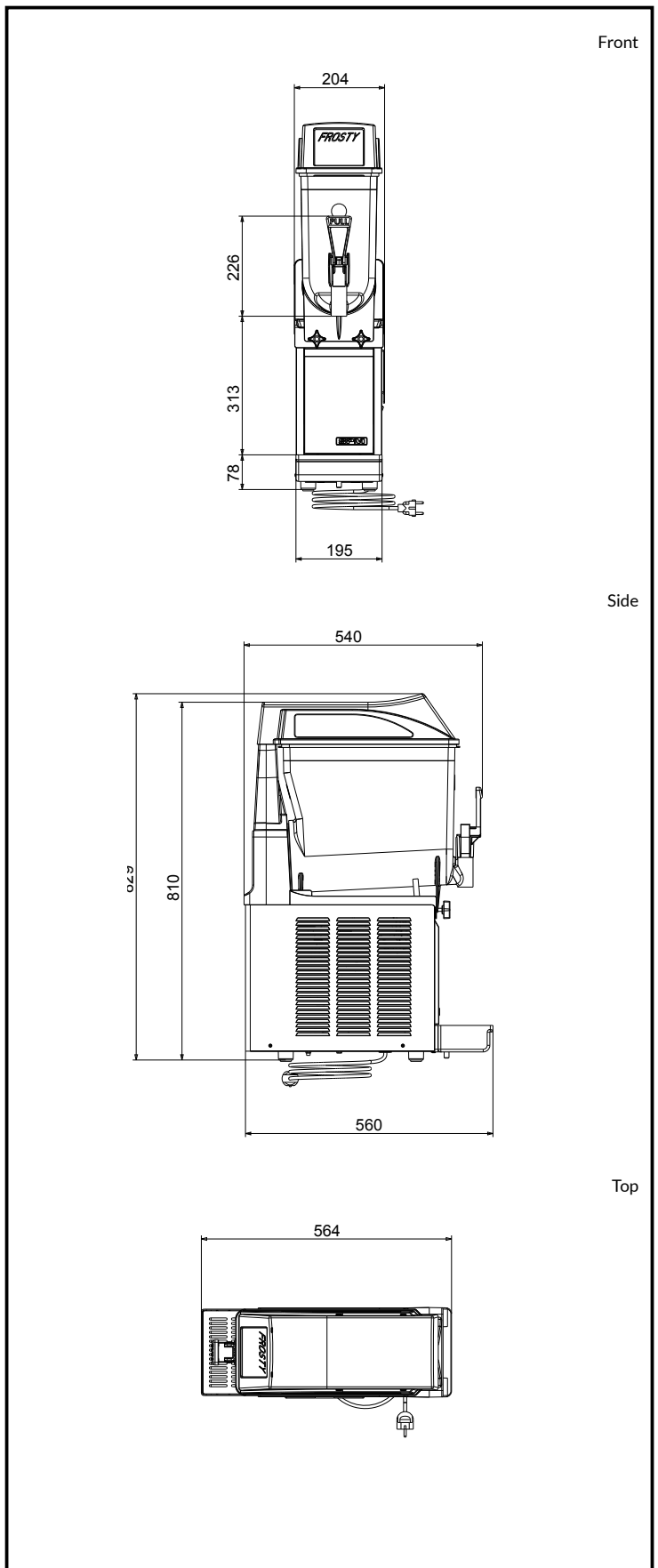
Refrigerant gas:	R452A
------------------	-------

Certifications



The company reserves the right to make modifications to the products without prior notice. All information correct at time of printing.

2024.10.14



CRATHCO

www.crathco.drink-systems.com
infocrathco@electroluxprofessional.com